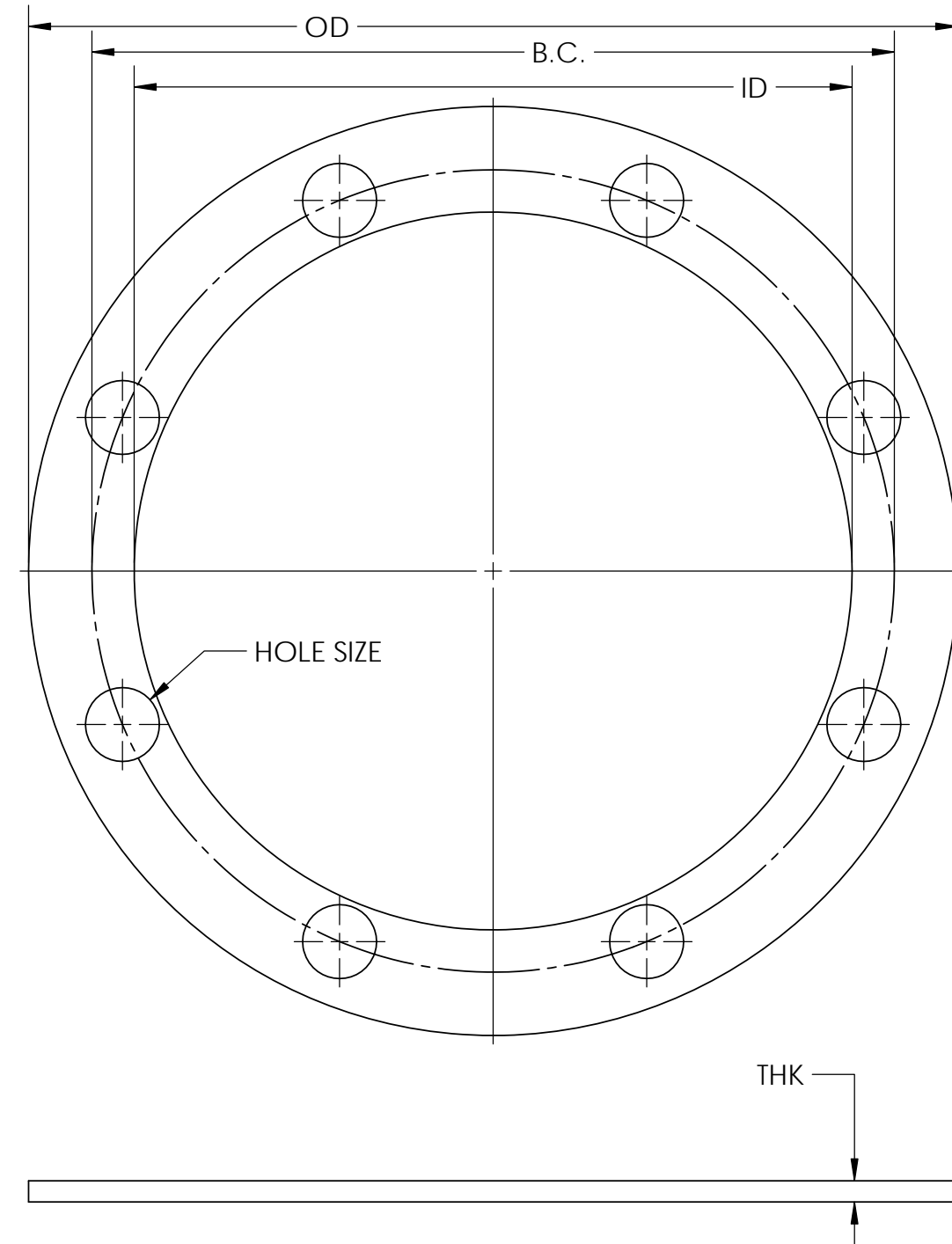


COMPENSATION RING DIMENSIONS

NOM SIZE	OD FF (INCHES)	B.C. (INCHES)	ID (INCHES)	HOLE (INCHES)	# BOLT HOLES	THK (INCHES)
1"	4.25	3.12	2.00	0.62	4	.13
1-1/2"	5.00	3.88	2.88	0.62	4	.13
2"	6.00	4.75	3.62	0.75	4	.19
3"	7.50	6.00	5.00	0.75	4	.19
4"	9.00	7.50	6.19	0.75	8	.22
6"	11.00	9.50	8.50	0.88	8	.22
8"	13.50	11.75	10.62	0.88	8	.25
10"	16.00	14.25	12.75	1.00	12	.25
12"	19.00	17.00	15.00	1.00	12	.25
14"	21.00	18.75	16.25	1.12	12	.25
16"	23.50	21.25	18.50	1.12	16	.25
18"	25.00	22.75	19.88	1.25	20	.25
20"	27.50	25.00	23.00	1.25	20	.25
24"	32.00	29.50	27.25	1.38	20	.25



TOLERANCES UNLESS OTHERWISE SPECIFIED		REF.	MARKING DATA		 1911 JASMINE PASADENA TX, 77503 <small>THIS DRAWING, AND ALL INFORMATION CONTAINED IN IT, IS CONFIDENTIAL, PROPRIETARY, AND IS THE SOLE PROPERTY OF Vee Interests LLC AND MAY NOT BE REPRODUCED, COPIED OR DISTRIBUTED WITHOUT THE EXPRESS WRITTEN CONSENT OF Vee.</small>	
DIMENSIONS ARE IN INCHES		[1]	N/A			
.X ± .1	CONC.... .010 TIR	DWN. BY: PJV				
.XX ± .06	FINISH.... 250 RMS	CHK. BY:				
XXX ± .031	RADII.... .015 MAX	APPR. BY:				
ANGLES... ± 0°30'				COMPENSATION RING DETAIL		
BREAK SHARP EDGES .015 MAX.						
EST. WEIGHT:	N/A	DO NOT SCALE	SCALE 1:2	SHEET 1 OF 1	SIZE B	
REV	DATE	DESCRIPTION	DWN	APPR	DRAWING NO. VEE-1033	REV. 0

0	19 SEP 18	INITIAL RELEASE	---	---
REV	DATE	DESCRIPTION	DWN	APPR

8/22/2019 8:31:42 AM

A

B

C

D