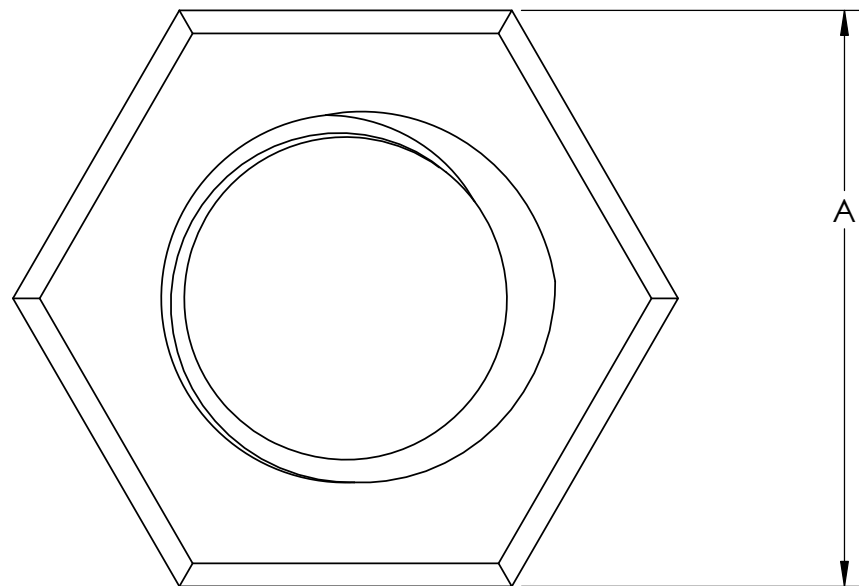
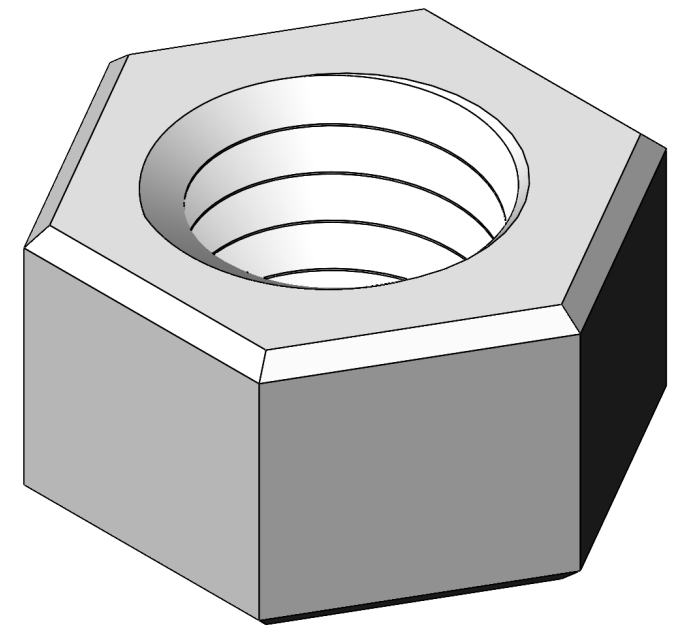
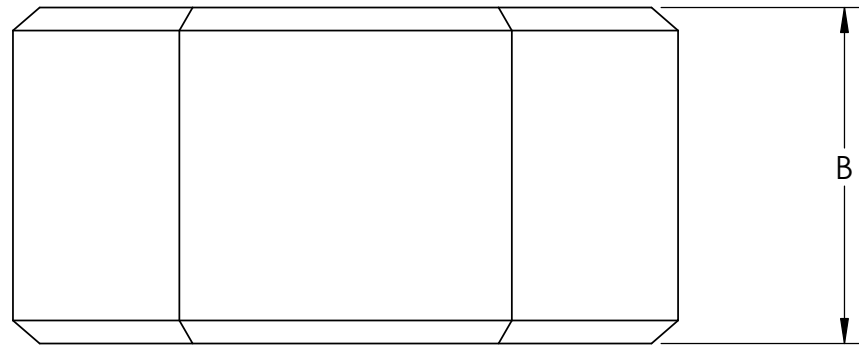


	A		B	
	STANDARD HEXNUT		HEAVY HEXNUT	
SIZE	A	B	A	B
1/4"-20UNC	7/16"	7/32"	1/2"	15/64"
5/16"-18UNC	1/2"	17/64"	9/16"	19/64"
3/8"-16UNC	9/16"	21/64"	11/16"	23/64"
7/16"-14UNC	11/16"	3/8"	3/4"	27/64"
1/2"-13UNC	3/4"	7/16"	7/8"	31/64"
5/8"-11UNC	7/8"	31/36"	15/16"	35/64"
3/4"-10UNC	15/16"	35/64"	1-1/16"	39/64"
7/8"-9UNC	1-1/8"	41/64"	1-1/4"	47/64"
1"-8UNC	1-5/16"	3/4"	1-7/16"	55/64"



TOLERANCES UNLESS OTHERWISE SPECIFIED		REF.	MARKING DATA		1911 JASMINE PASADENA TX, 77503	
DIMENSIONS ARE IN INCHES		1	KK		VEE INTERESTS LLC	
.X ± .1	CONC.... .010 TIR	DWN. BY: PJV		THIS DRAWING, AND ALL INFORMATION CONTAINED IN IT, IS CONFIDENTIAL, PROPRIETARY, AND IS THE SOLE PROPERTY OF Vee Interests LLC AND MAY NOT BE REPRODUCED, COPIED OR DISTRIBUTED WITHOUT THE EXPRESS WRITTEN CONSENT OF Vee.		
.XX ± .03	FINISH.... 125 RMS	CHK. BY:		HEX NUT & HEAVY HEX NUT DIMENSIONS		
.XXX ± .010	RADII.... .015 MAX	APPR. BY:				
ANGLES... ± 0°30'		EST. WEIGHT: 0.04 LB		DO NOT SCALE	SCALE 4:1	SHEET 1 OF 1
BREAK SHARP EDGES .015 MAX.		DRAWING NO. VEE-1181		SIZE B	REV. 0	

REV	DATE	DESCRIPTION	DWN	APPR
0	12 JAN 16	INITIAL RELEASE	PJV	---

3/13/2026 8:49:27 AM