

Vee Interests LLC

3" Vent/Vacuum Breaker



Overview

The Vacuum breaker is placed on top of a tank and allows for air to flow in or out as may be needed during Draining/filling, Heating/Cooling, Exotherm/Endotherm. The vacuum breaker can prevent hazardous fumes from being vented to atmosphere.

Advantages

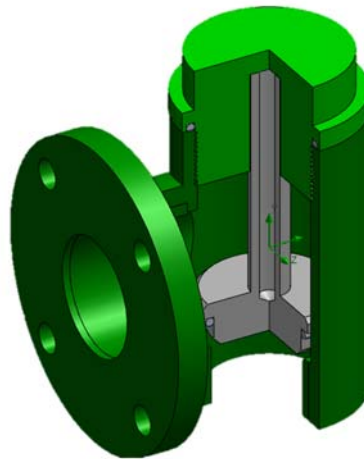
- Light Weight
- Durable
- Small Footprint
- Cost Effective
- Corrosion Resistant

Applications

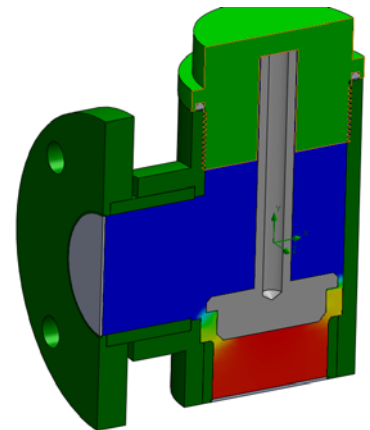
- PetroChemical
- Subsea
- Pharmaceutical
- Power Generation
- Semi-Conductor
- Water Treatment
- Refining

COMMON MATERIALS

- Polypropylene
- PVC/CPVC
- Polyethylene
- PVDF
- PTFE



Quarter section cutaway



Pressure Distribution while open

